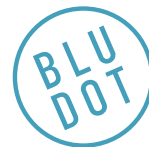
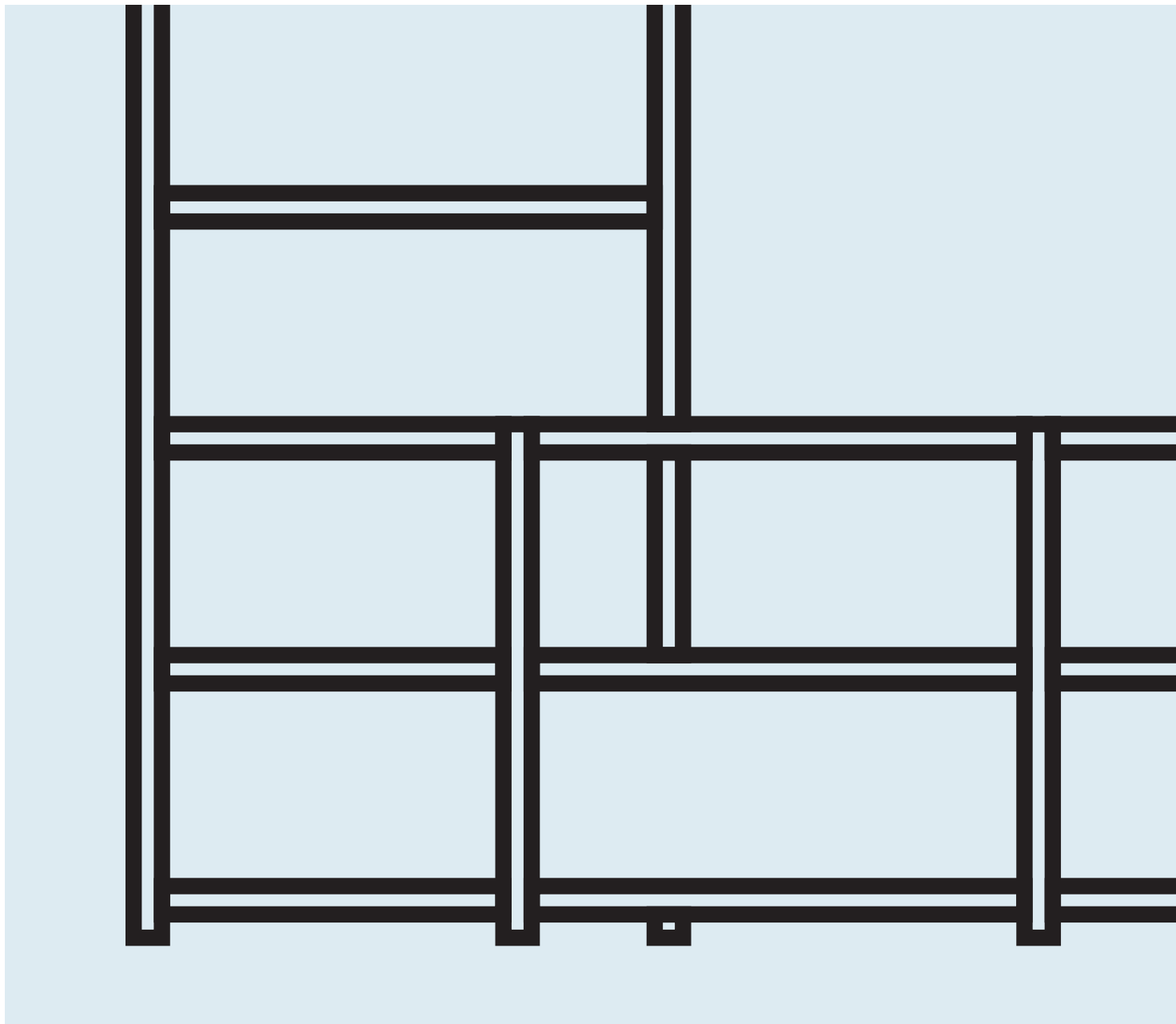


Open Plan Large Low Bookcase



DESIGNED IN 2019

ASSEMBLY NOTES | REV 01



NEED A HAND?

Contact us at service@bludot.com or
844.425.8368 for assistance.

@BLUDOT

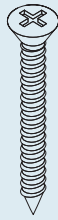
We design all our pieces in our Minneapolis studio. Follow
along on Instagram for some sneak peeks into the process.

Parts & Hardware



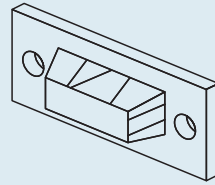
QTY 4

Pt. 1217



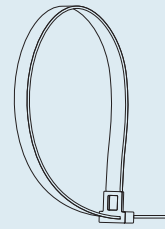
QTY 4

Pt. 1218



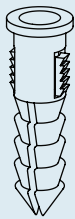
QTY 4

Pt. 8041



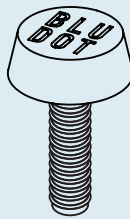
QTY 2

Pt. 8042



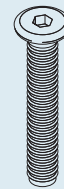
QTY 4

Pt. 8054



QTY 6

Pt. 4022



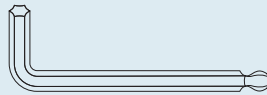
QTY 6

Pt. 1693



12

Pt. 1690



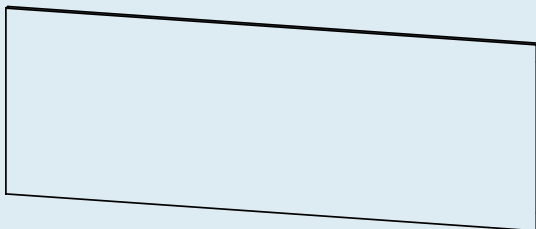
QTY 1

Pt. 9016



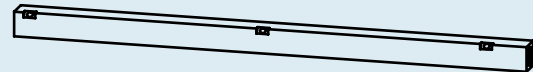
QTY 8

Pt. 8053



QTY 2

Back Panel



QTY 2

Front Corner Upright

Parts & Hardware



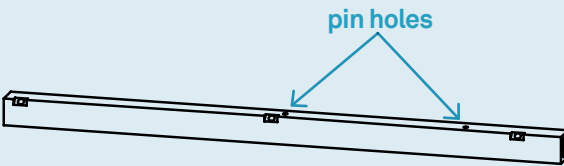
QTY 1

Front Center Upright



QTY 1

Rear Center Upright



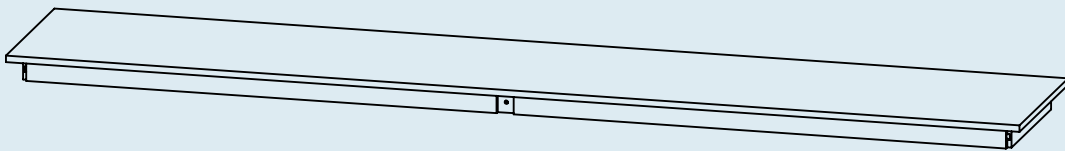
QTY 1

Rear Left Corner Upright



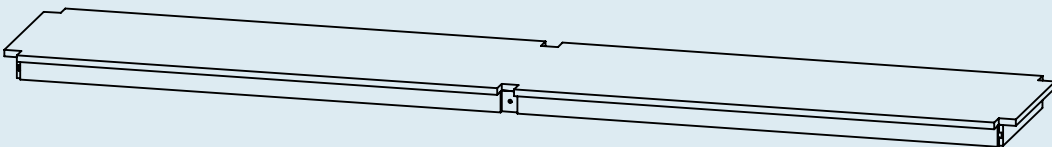
QTY 1

Rear Right Corner Upright



QTY 1

Top Panel



QTY 2

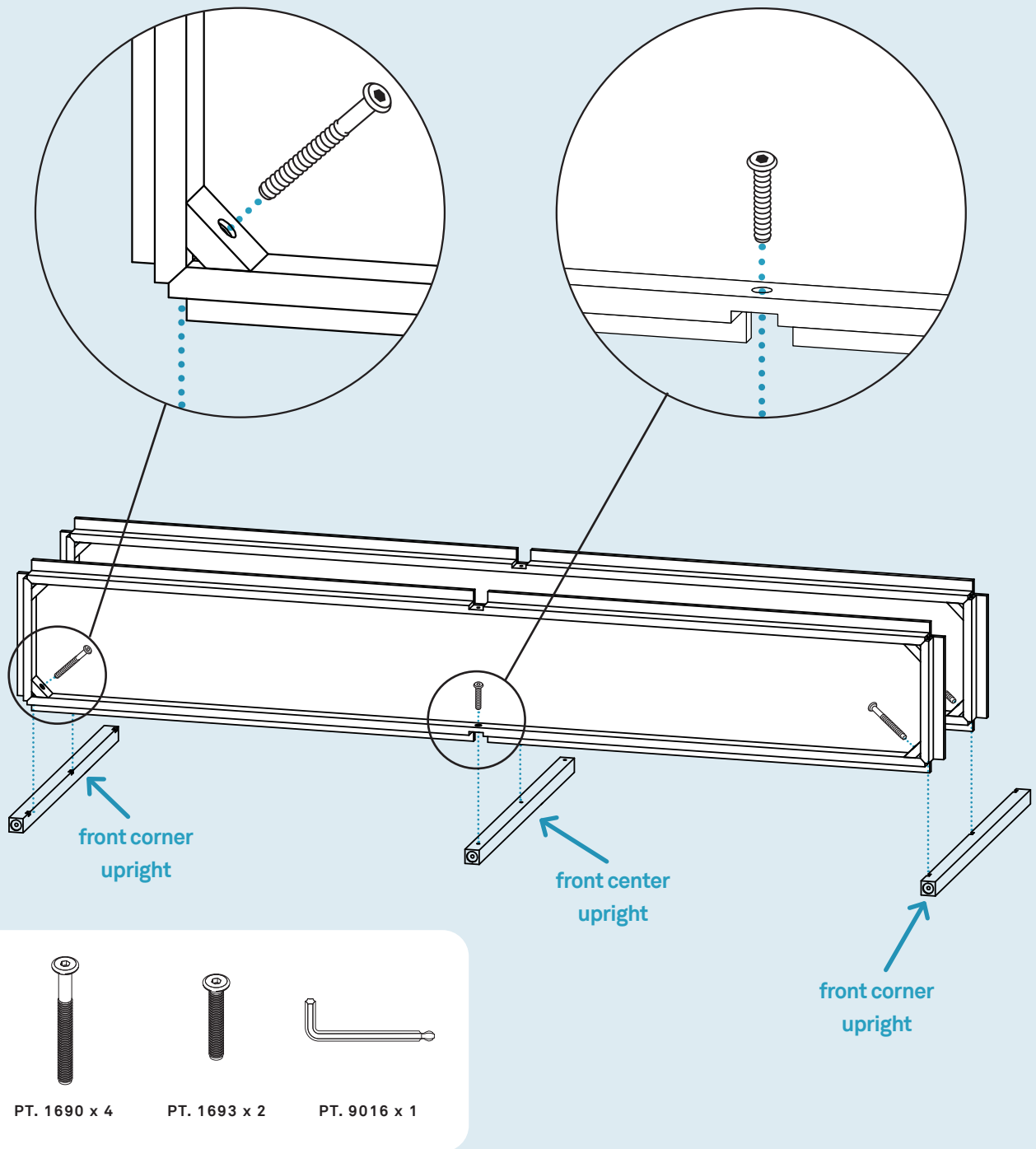
Shelf Panel

Step 01

ATTACH SHELF PANELS TO FRONT UPRIGHTS.

Attach the shelf panels to the front uprights using the provided hardware as shown.

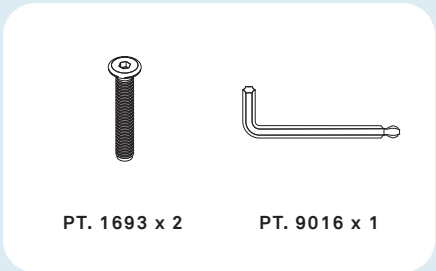
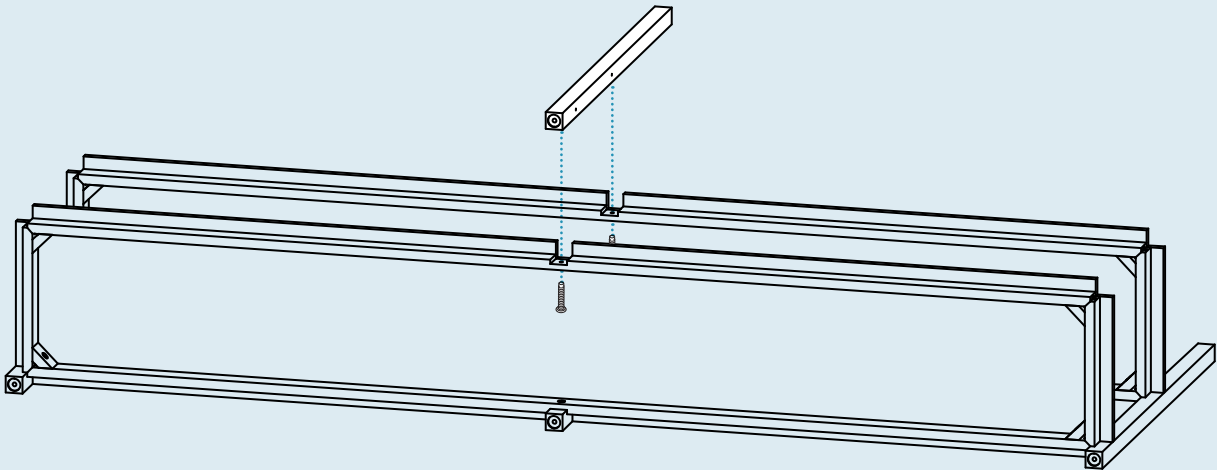
Note that front uprights do not have pin holes.



Step 02

ATTACH REAR CENTER UPRIGHT.

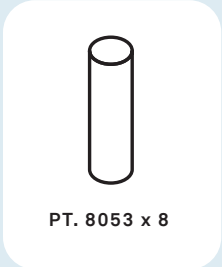
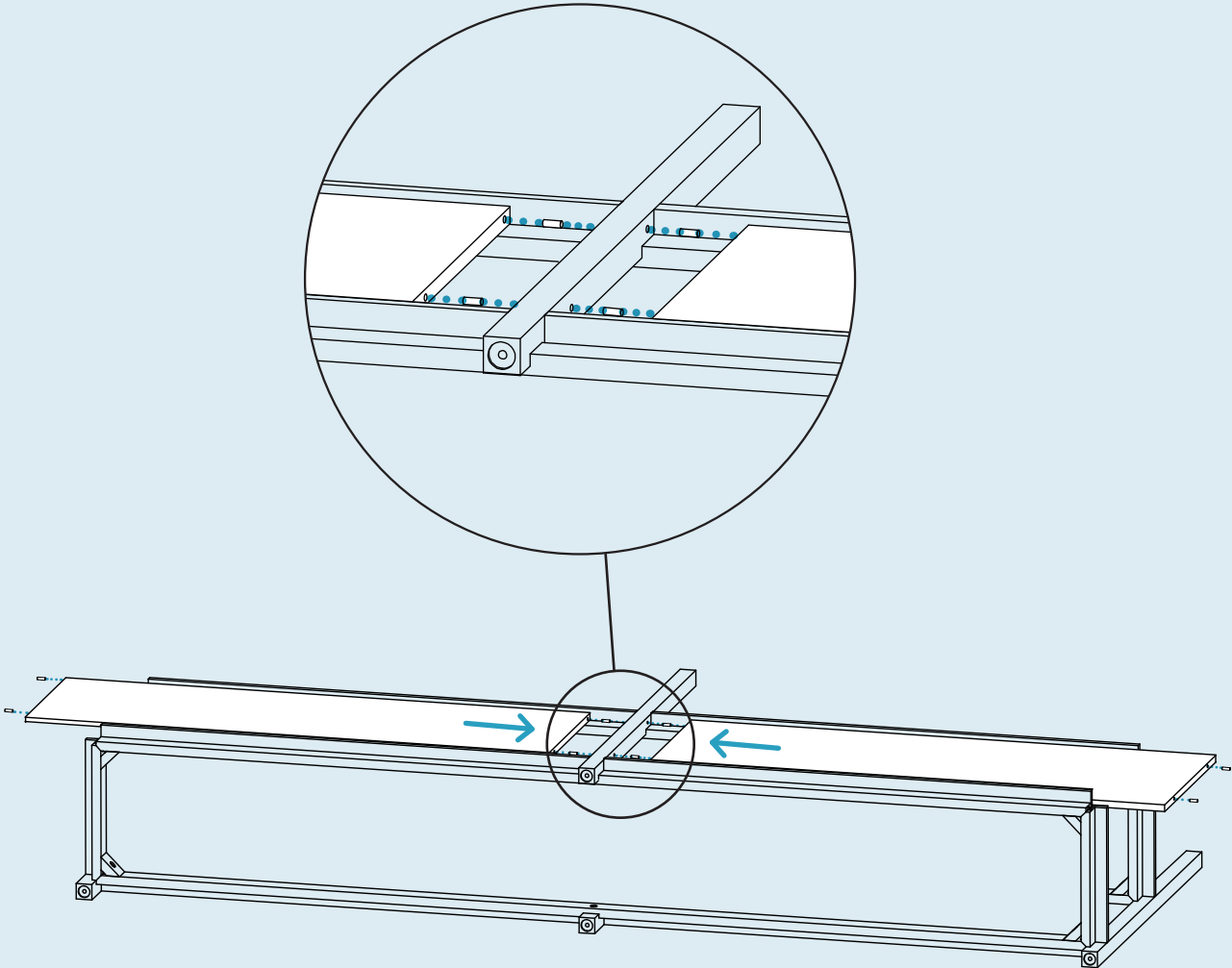
Attach the rear center upright to the shelf panels using the provided hardware as shown.



Step 03

ATTACH BACK PANELS TO REAR CENTER UPRIGHT.

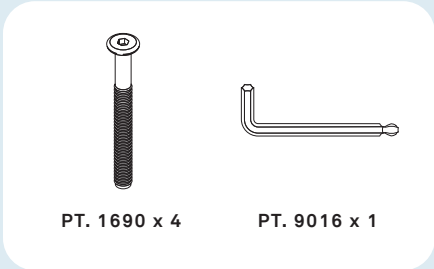
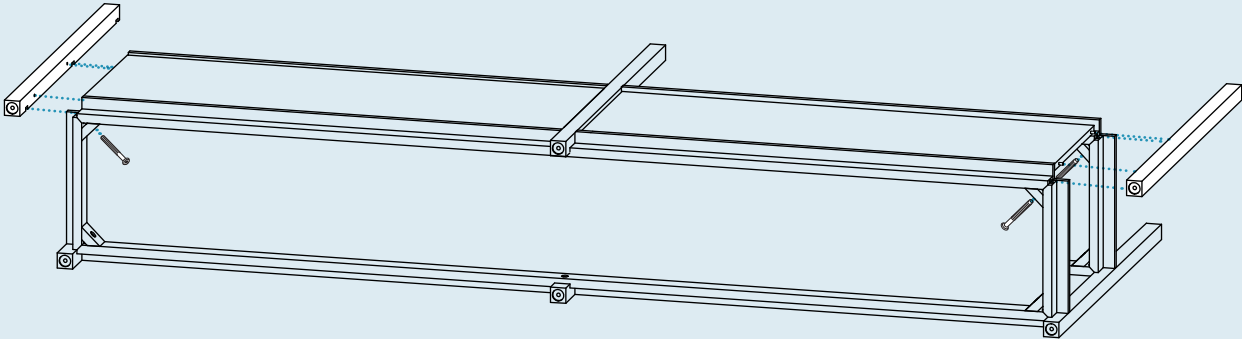
Place metal pins in the center rear upright and align with back panel pieces as shown.



Step 04

ATTACH REMAINING UPRIGHTS.

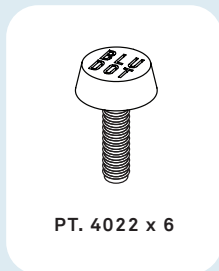
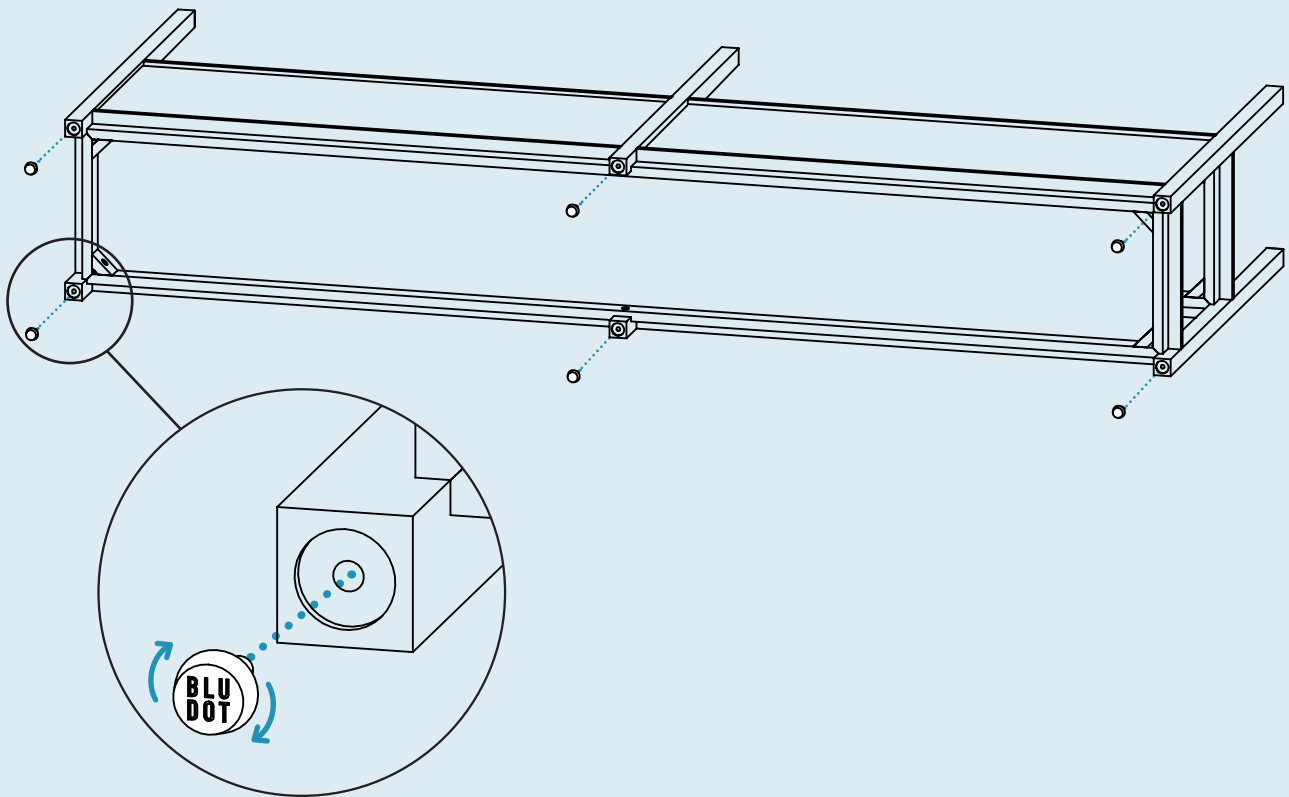
Attach the remaining rear corner uprights using the provided hardware as shown. Ensure that the back panel pins align with the uprights.



Step 05

INSTALL ADJUSTABLE GLIDES.

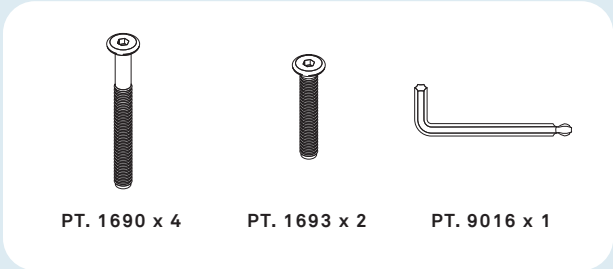
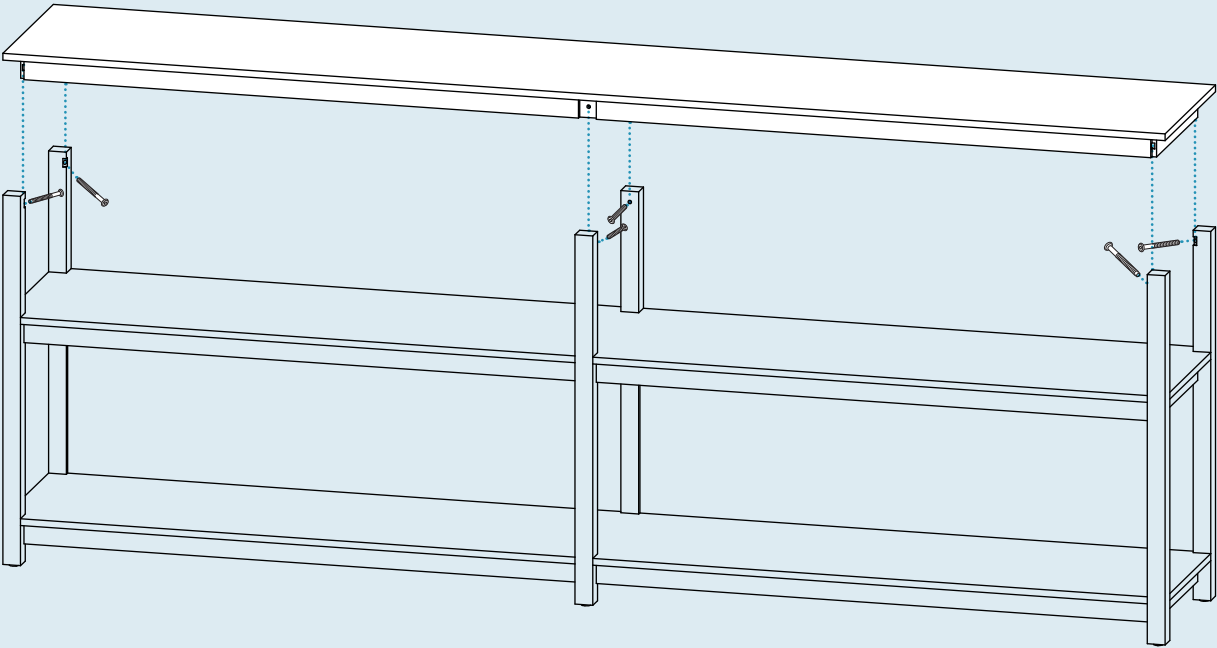
Install adjustable glides to the bottom of the uprights as shown. Ensure that the uprights are level prior to using the product.



Step 06

ATTACH TOP PANEL.

Attach the top panel using the provided hardware as shown.

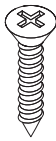
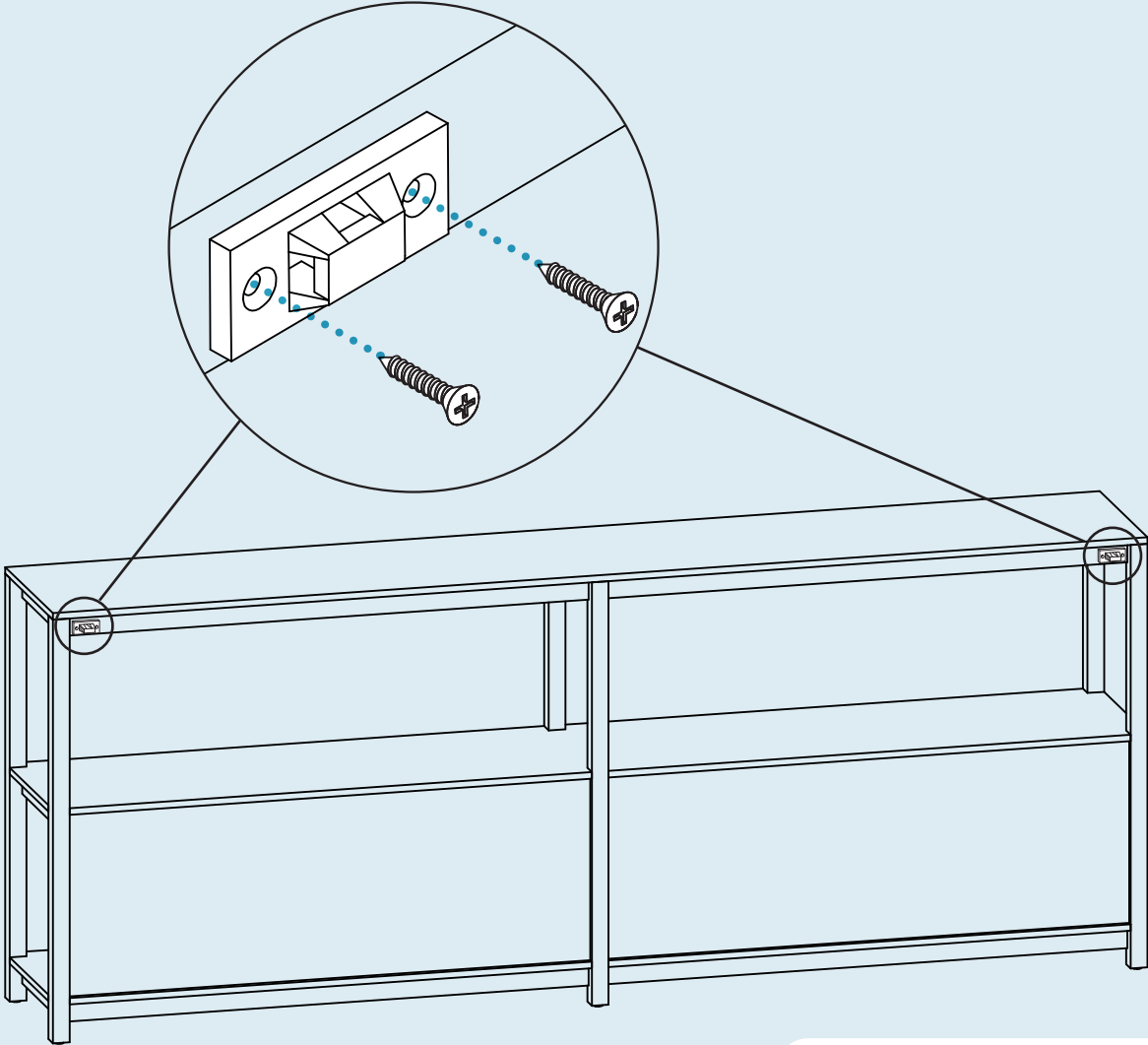


Step 07

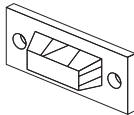
ATTACH ANTI-TIP BRACKETS TO BOOKCASE.

Brackets must be installed to the back rail of the top panel. In order to prevent damage, it is recommended that 3/32" pilot holes be drilled prior to installation.

Note: Ensure that the depth of the pilot hole does not exceed 1/2". A deeper pilot hole may be visible on the opposite side.



PT. 1217 x 4



PT. 8041 x 2

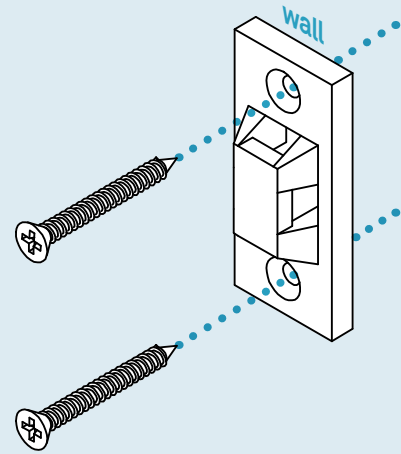
Step 08

ATTACH ANTI-TIP BRACKETS TO WALL.

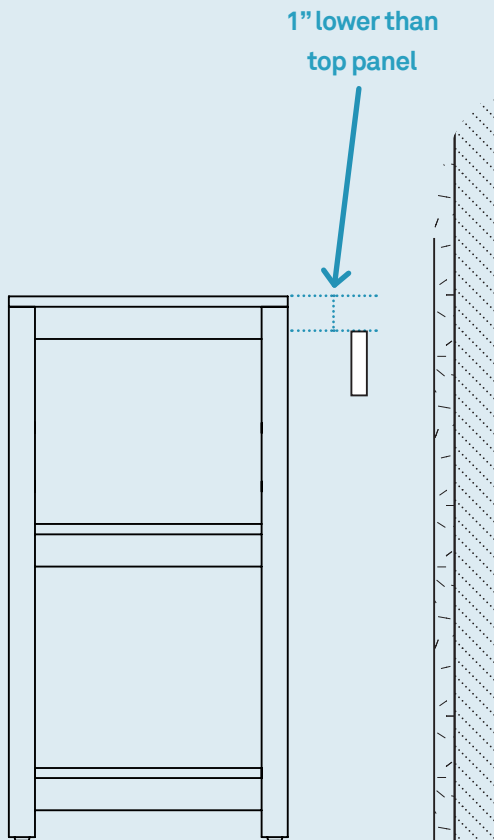
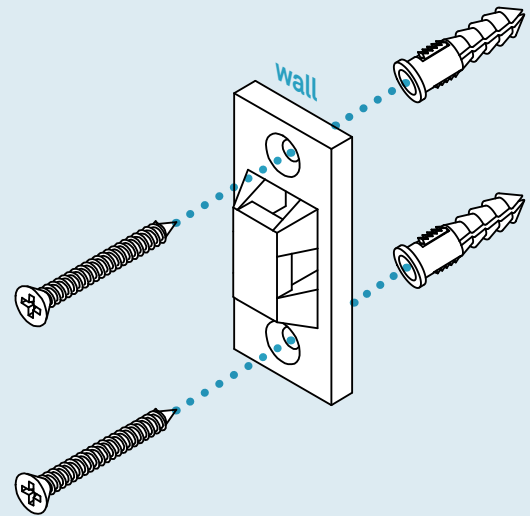
Wall anchors and fasteners are included for installation into drywall. Please consult your local hardware professional to determine the hardware best suited for your wall type.

If the mounting locations are positioned on a stud, the installation of wall anchors may be skipped. Instead, drill $7/64$ " pilot holes in the marked positions and install anti-tip bracket with provided hardware as shown.

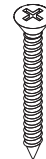
If the mounting locations are not positioned on a stud, drill $15/64$ " holes into the marked locations and press wall anchors into the drilled holes and install anti-tip bracket with provided hardware as shown.



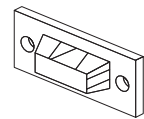
OR



PT. 8054 x 4



PT. 1218 x 4

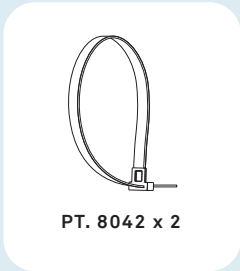
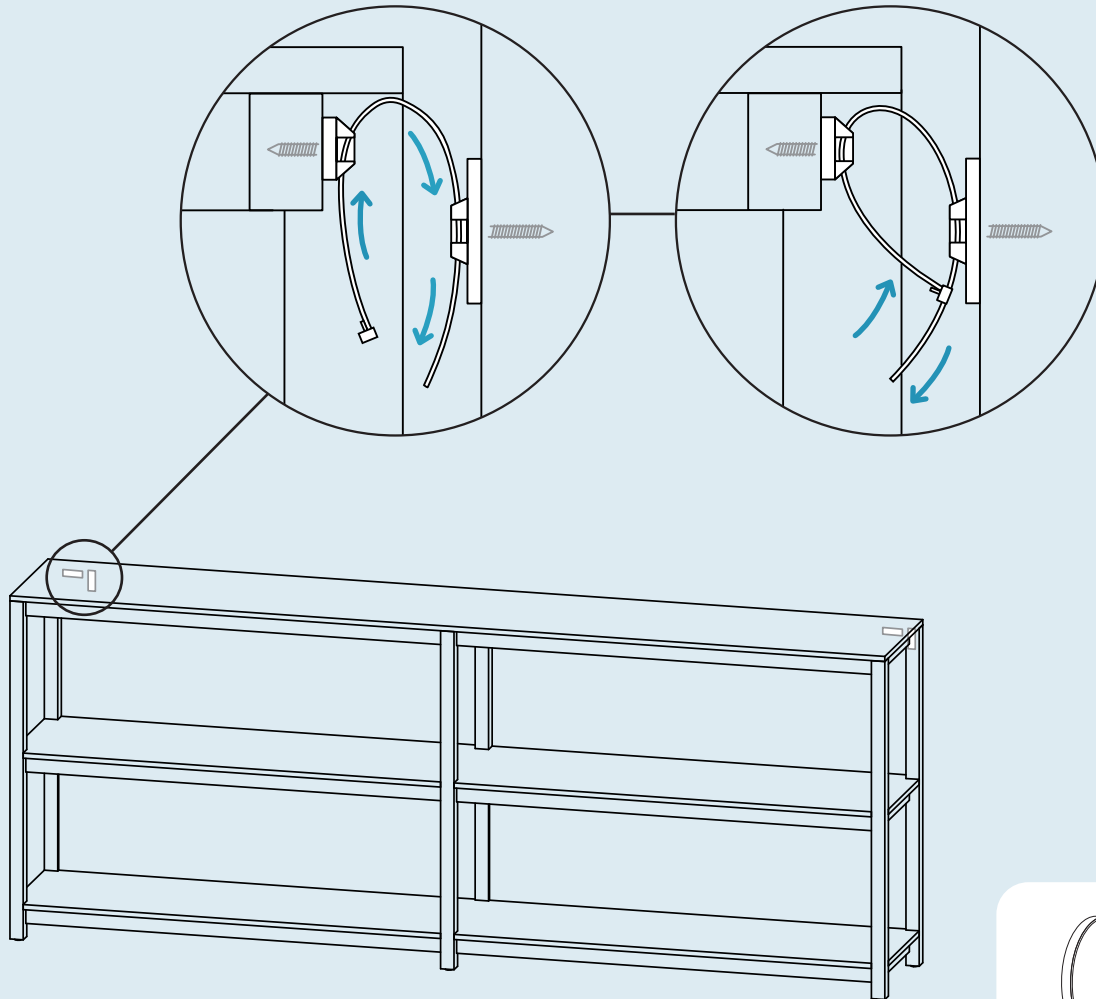


PT. 8041 x 2

Step 09

SECURE BOOKCASE.

Install and tighten wall straps prior to using the product.



Additional Information

CLEAN

Clean with a slightly damp, soft cloth. To remove dirt and fingerprints, use quality cleaners formulated for wood furniture. Wipe completely dry with a soft cloth in the direction of the wood grain.

